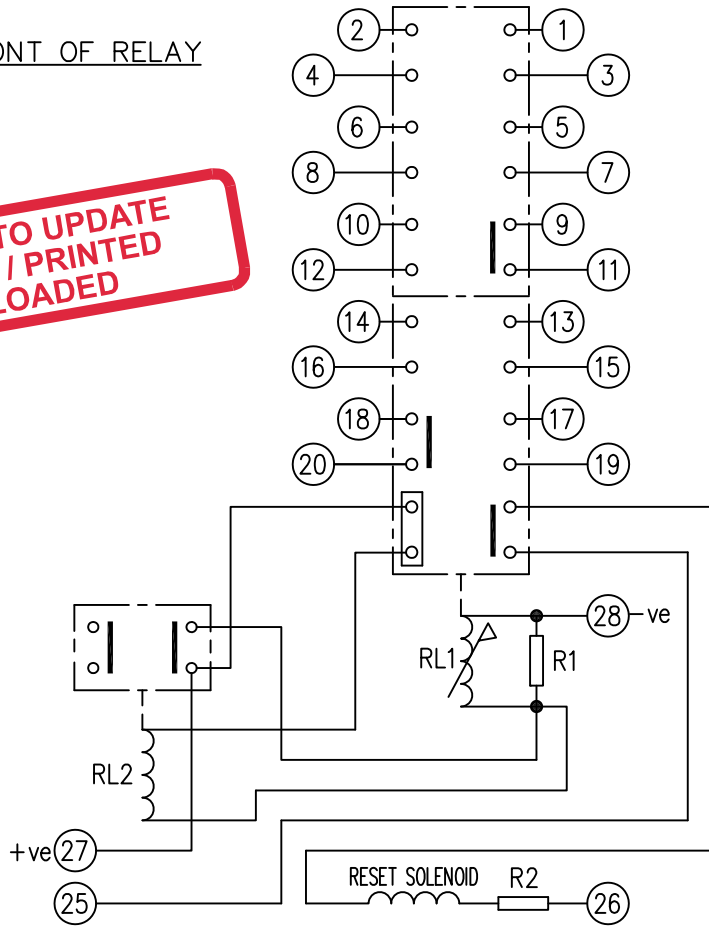


LOOKING ON FRONT OF RELAY

**NOT SUBJECT TO UPDATE
ONCE COPIED / PRINTED
OR DOWNLOADED**

2112W50042



- KEY**
- make contact
 - break contact
 - c/o contact
 - ext. conn
 - plug bridge - shorting
 - metering point
 - 5Kv barrier
 - test socket - shorting
 - plug & socket

R2	6R8		2102C15687									
R1			390R		2102C35391				2X100R IN SERIES		2102C41101	
Vdc	24	30	48	60	125	240						
CONTACT CONFIG.	OUTPUT CONTACT PAIR / TERMINAL No.											
	1-3	2-4	5-7	6-8	9-11	10-12	13-15	14-16	17-19	18-20		
10M	M	M	M	M	M	M	M	M	M	M		
9M 1B	M	B	M	M	M	M	M	M	M	M		
8M 2B	B	B	M	M	M	M	M	M	M	M		
7M 3B	B	B	M	B	M	M	M	M	M	M		
6M 4B	B	B	B	B	M	M	M	M	M	M		
5M 5B	B	B	B	B	M	B	M	M	M	M		
4M 6B	B	B	M	B	M	M	B	B	B	B		
3M 7B	B	B	B	B	M	M	B	B	B	B		
2M 8B	B	B	B	B	M	B	B	B	B	M		

NOTE:

- CONTACT CONFIGURATION ABOVE IS REQUIRED FOR RELAY OPERATION. FOR DETAILS OF VARIABLE CONTACT OPTIONS SEE TABLE OPPOSITE.
- RESISTORS R1 & R2 ARE FITTED ONLY WHEN REQUIRED. SEE TABLE ABOVE.

FRAME REFERENCE: E4FS05.

FRAME TERMINAL BLOCK ASSY: -

ASSEMBLY INSTRUCTIONS: -
 TYPICAL ASSEMBLY DRAWING 2995G10032.
 AT INDICATED POSITIONS FIT AS FOLLOWS:
 T - FIT TRIP ISOLATION CONTACT 2995B10053
 S - FIT STANDARD CONTACT 2995B10054
 SECURE CONTACTS USING FIXING SCREW 2109F99009.
 POSITIONS SHOWN BLANK ARE UNUSED

2	T	T	1
4	T	T	3
6	T	T	5
8	T	T	7
10	T	T	9
12	T	T	11
14	T	T	13
16	T	T	15
18	T	T	17
20	T	T	19
22			21
24			23
26	S	S	25
28	S	S	27

VIEW FROM NUMBERED SIDE OF BLOCK

OUTER TERMINAL BLOCK ASSY: -

ASSEMBLY INSTRUCTIONS: -
 TYPICAL ASSEMBLY DRAWING 2995G10029.
 AT INDICATED POSITIONS FIT AS FOLLOWS:
 S - FIT STANDARD CONTACT 2995B10051
 HC - FIT 'HEAVY CURRENT' KIT 2995G10030
 WHERE IS SHOWN FIT CT SHORTING KIT 2995G10031
 POSITIONS SHOWN BLANK ARE UNUSED.
 ALL POSITIONS FIT SCREW 2106F12506.

2	S	S	1
4	S	S	3
6	S	S	5
8	S	S	7
10	S	S	9
12	S	S	11
14	S	S	13
16	S	S	15
18	S	S	17
20	S	S	19
22			21
24			23
26	S	S	25
28	S	S	27

VIEW FROM INSIDE FACE

4	07/12/09	MN112/3223	SIEMENS PROTECTION DEVICES LTD.	Original Scale.	First used on:
					Similar Articles:
ISSUE	DATE	MOD.No.			Supersedes:
					Drg.No.
					2112W50042

DRAWN: A.LAW. CHECKED: RD.WATSON APPROVED: RD.WATSON DATE: 08/12/2009 IE: OPS: